



## I-87065W

8-ch Power Relay Module (5A Rating Current)

### Features

- 8-channel AC SSR Output
- Form A AC Solid State Relay Output
- Fast Operating/Release Time
- No Arcing, Bouncing, or Switching Noise
- 3000 VDC Intra-module Isolation
- ±4 kV ESD Protection



### Introduction

The I-87065W module provides 8 AC Solid State Relay (SSR) Output channels. In comparison to electromechanical relays, SSR technology provides a faster response time and greater electrical endurance. The integration of AC SSR technology also eliminates the potential for arcing, bouncing, or switching noise. The I-87065W includes 8 LED indicators that can be used to monitor the status of the SSR output, and options are available for configuring power-on and safe values. 4 kV ESD protection and 3750 VDC intra-module isolation are also provided to enhance the noise protection capabilities of the module in harsh industrial environments.

### System Specifications

COM Port	
Ports	RS-485
Data Format	N, 8, 1
Baud Rate	1200 ~ 115200 bps
Protocol	DCON
CPU Module	
Dual Watchdog Timer	Module (1.6 Seconds), Communication (Programmable)
LED Indicators	
System LED Indicator	1
I/O LED Indicator	8
Isolation	
Intra-module Isolation, Field-to-Logic	3000 VDC
EMS Protection	
ESD (IEC 61000-4-2)	±4 kV Contact for Each Terminal ±8 kV Air for Random Point
Power	
Consumption	0.6 W Max.
Mechanical	
Dimensions (W x L x H)	30 mm x 115 mm x 102 mm
Environment	
Operating Temperature	-25 ~ +75 °C
Storage Temperature	-40 ~ +85 °C
Humidity	10 ~ 90 % RH, Non-condensing

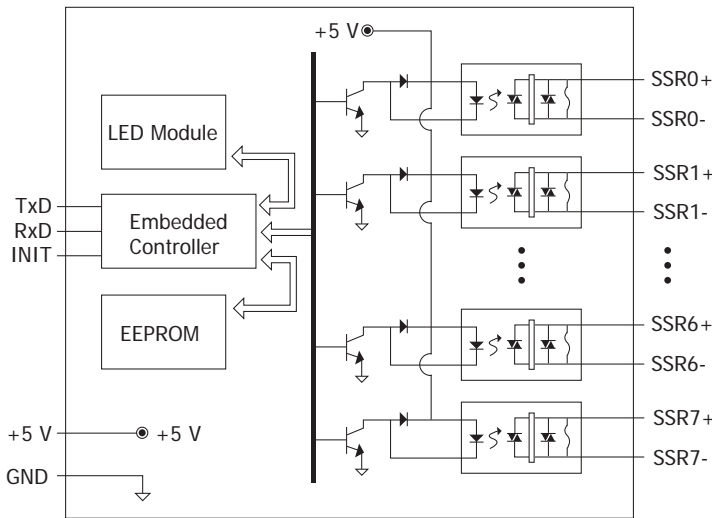
### I/O Specifications

AC Solid State Relay Output	
Channels	8
Type	AC SSR (Form A)
Operating Voltage Range	+24 ~ +265 VAC
Max. Load Current	1 A
Leakage Current	1.5 mA
Operate Time	1/2 cycle + 1 ms (Min.)
Release Time	1/2 cycle + 1 ms (Min.)
Electrical Endurance	Long Life, No Arcing, No Bounce, No Switching Noise
Surge Strength	2500 VAC
Power on Value	Yes
Safe Value	Yes

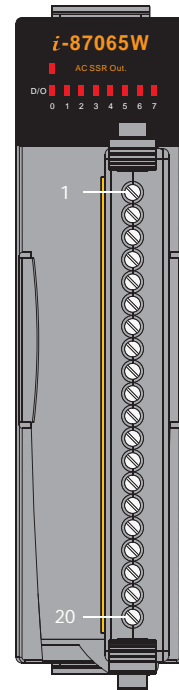
### Applications

- Building Automation
- Factory Automation
- Machine Automation
- Remote Maintenance
- Remote Diagnosis
- Testing Equipment

## Internal I/O Structure

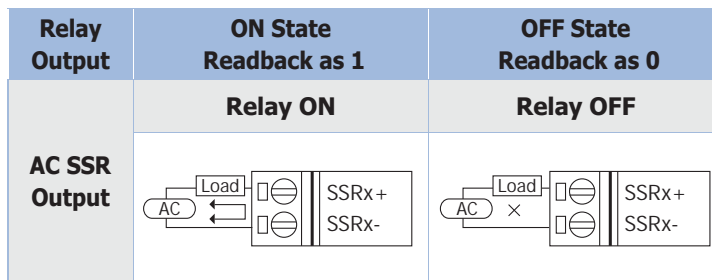


## Pin Assignments

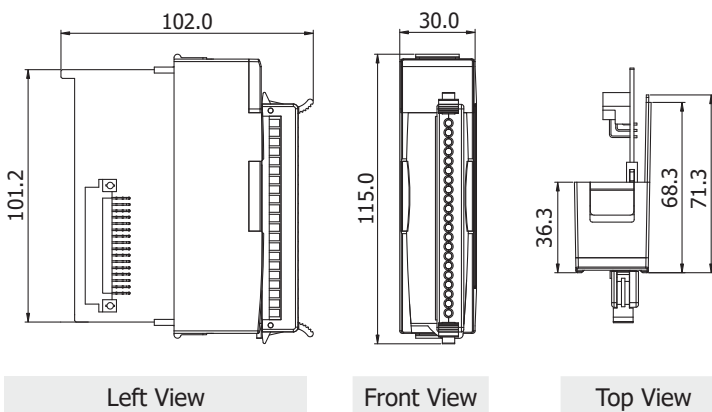


Terminal No.	Pin Assignment
01	SSR0+
02	SSR0-
03	SSR1+
04	SSR1-
05	-
06	SSR2+
07	SSR2-
08	SSR3+
09	SSR3-
10	-
11	SSR4+
12	SSR4-
13	SSR5+
14	SSR5-
15	-
16	SSR6+
17	SSR6-
18	SSR7+
19	SSR7-
20	-

## Wire Connections



## Dimensions (Unit: mm)



## Ordering Information

**I-87065W-G CR** 8-ch AC-type SSR Relay Module (RoHS)